

Specification

Model Number	Depth-Inches	Drain Placement
BR-1813W	5-1/2", 6", 7-1/2"	Central



SINK DESCRIPTION

- ▶ Under Counter Mounting sink
- ▶ Glazing technology holds the advantage of the easy-cleaning Acid and alkali resistant with bright clean surface.
High-temperature firing makes ceramic body tight and Lower water absorption.
- ▶ Without glaze needs space after, it will be more solid after fixed.
There is a overflow hole on it to prevent water from spilling over the sink.

CUTOUT DIMENSTIONS

- ▶ Template included, template number BR-1813W

PRODUCT COMPLIANCE

- ▶ All product certified by IAPMO to meet standards ASME A112.19.2-2018/CSA B45.1-18

WARRANTY

- ▶ Limited lifetime warranty against material or manufacturing defects to the original consumer purchaser

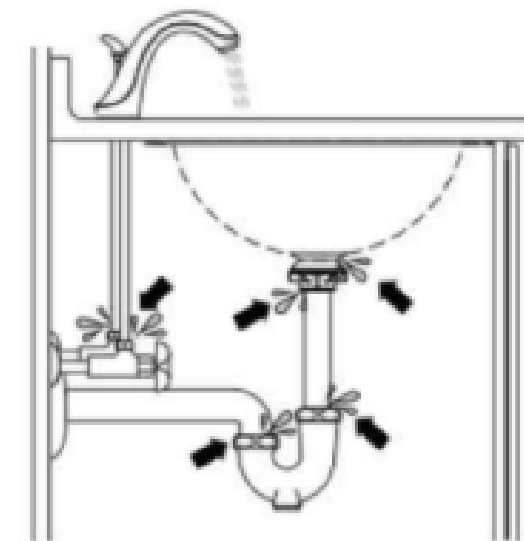
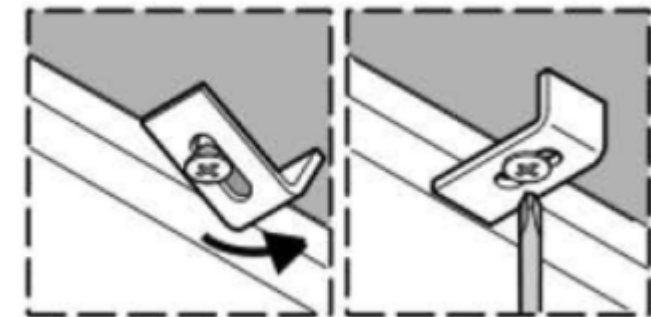
TECHNICAL SPECIFICATION

Installation	Under-mount
Bowl area	Length: 20" (Outside) 18" (Inside) Width: 15" (Outside) 12-7/8" (Inside) Bowl Depth: 7-1/2"
Drain Hole	1-1/4" OD
Template	Required, Included

Note:

Install this product according to the installation instruction
Minimum base cabinet size 20"
Consult an installer for confirmation.

Installation Detail



CRITICAL DIMENSIONS

(DO NOT SCALE)

